



SERVICE PARTS LIST

BUL. 54-05-0200

VACUUM CLEANER

REVISED BUL
54-05-0200

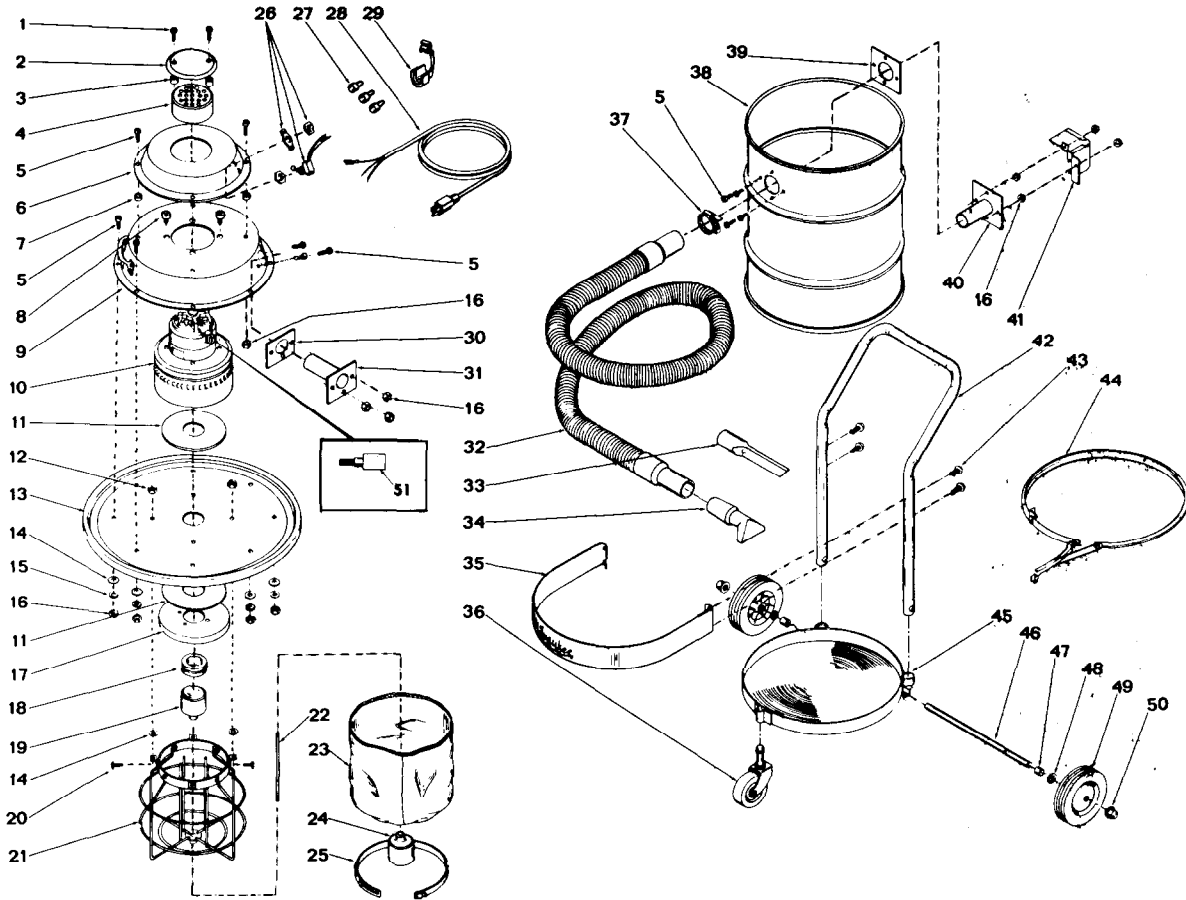
DATE
Dec.'69

Catalog No. 8900

Starting
Serial No. **SERIES 1**

WIRING INSTR.

Both Model and Serial No. must be furnished to obtain correct parts.



ILLUSTRATED PARTS

FIG.	PART NO.	DESCRIPTION OF PART	NO. REQ.	FIG.	PART NO.	DESCRIPTION OF PART	NO. REQ.
1	06-81-4205	6-32x3/4 Phillips Pan Hd. Mach. Sc.	(2)	26	23-66-0830	Switch	
2	42-52-0200	Motor Cap		27	22-56-0250	Connector	(3)
3	45-36-0675	Spacer	(2)	28	22-64-0435	Cord Set	
4		Motor Assy. Cover (Incl. w/item 10)		29	44-76-0010	Cord Protector	
5	06-81-4200	6-32x3/8 Phillips Pan Hd. Mach. Scr.	(19)	30	43-44-0285	Gasket	
6	42-92-0235	Upper Motor Cover		31	45-76-0160	Exhaust Tube Assembly	
7	45-36-0670	Spacer	(4)	32	49-18-0070	Hose	
8	06-81-4215	1/4-20x3/8 Phillips Round Hd. Sems Sc.	(4)	33	49-80-0150	Crevice Tool	
9	42-92-0245	Lower Motor Cover		34	49-30-0010	Rubber Coated Nozzle	
10	23-30-0100	Motor Assembly (Incl. Fig. 4 & 51)		35	42-16-0110	Container Band	
11	43-44-0290	Motor Gasket	(2)	36	43-08-0140	Dolly Caster	
12	06-57-6060	No. 10-32 Lock Nut	(4)	37	48-67-0110	Hose Clamp	
13	42-92-0240	Container Cover		38	42-51-0300	Container	
14	45-88-7185	Rubber Washer	(12)	39	43-44-0300	Intake Gasket	
15	45-88-7180	Washer	(8)	40	45-76-0165	Intake Tube Assembly	
16	06-57-6055	No. 6-32 Lock Nut	(19)	41	42-14-0160	Baffle Assembly	
17	44-54-0010	Filter Top Pan		42	43-62-0480	Handle	
18	43-44-0295	Float Gasket		43	06-85-1900	No. 8x3/8 Self Tapping Screw	(4)
19	45-80-0130	Valve Top Float		44	42-68-0250	Cover Clamp	
20	06-81-4210	10-32x3/8 Phillips Truss Hd. Mach. Sc.	(4)	45	42-20-0350	Cart Base Assembly	
21	43-40-0100	Filter Frame		46	42-12-0040	Axle	
22	44-94-0170	Float Rod		47	45-36-0665	Spacer	(2)
23	48-09-0010	Filter Bag		48	45-88-7190	Washer	(2)
24	45-80-0135	Valve Bottom Float		49	45-94-0120	Wheel	(2)
25	42-68-0255	Bag Clamp		50	06-57-6050	Pushnut	(2)
				★ 51	22-18-0430	Carbon Brush & Holder	(2)